



Audio System Upgrade Package
2009-Up Dodge Ram Quad and Crew Cab Trucks
2014-Up Jeep Cherokee (Six Speaker Base and Premium Audio)

Installation Instructions

CONTENTS:

2EA. 6x9" TWO WAY SPEAKERS
1EA. INSTRUCTIONS

P/N RW1069C
P/N RBI77KICK41

TOOLS REQUIRED:

*Phillips Screwdriver *Panel Removal Tool*Pick Tool*Torx®T20*

1. Disconnect negative battery.
2. Using a pick tool pry open the screw covers behind the interior door release lever. Fig. 1
3. Using a Phillips screwdriver remove the screw behind the screw cover. Fig. 2



4. Using a panel removal tool snap loose the door release bezel. Fig. 3
5. Remove six Torx®T20 retainers by unscrewing the center and then pulling out the entire retainer. Fig. 4





**Audio System Upgrade Package
2009-Up Dodge Ram Quad and Crew Cab Trucks
2014-Up Jeep Cherokee (Six Speaker Base and Premium Audio)**

Installation Instructions

- 6. Using a panel removal tool snap loose upper trim panel. Fig. 5**
- 7. Lift up on door panel to release.**
- 8. Disconnect window switch by pushing switch out from rear, then unplug. Fig. 6**



- 9. Remove four 5mm screws securing the speaker, disconnect wiring and remove speaker. Fig. 7**
- 10. Install upgrade speaker (RW1069C), replace screws, and tighten.**



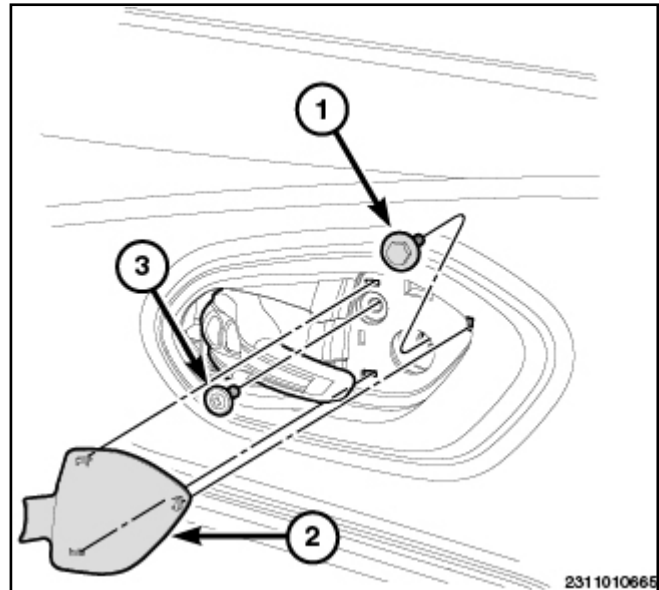
- 11. Replace all previously removed parts in reverse order.**
- 12. Repeat for other side of vehicle.**
- 13. Reconnect negative battery cable.**



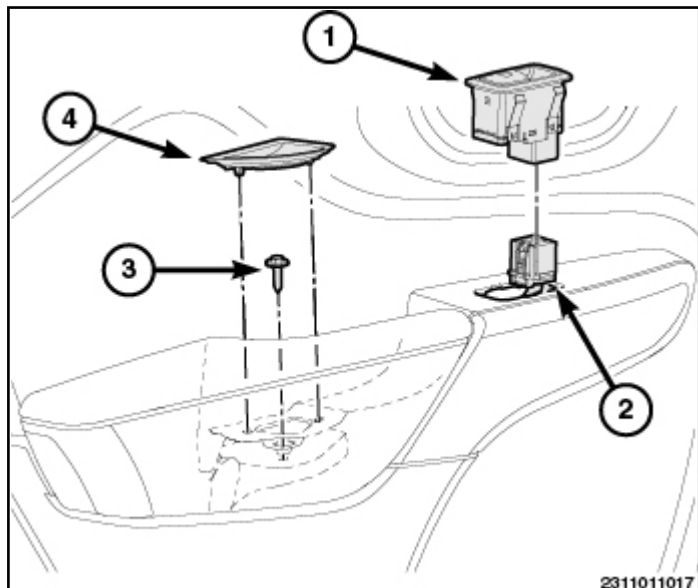
Jeep Cherokee

Rear Door Speaker

1. Disconnect and isolate the negative battery cable.
2. Pull out on the interior door handle and using a non-marring panel removal tool, remove the bezel (2) located in the cavity.
3. Remove the fastener (1) and fastener (3) securing the door trim panel to the carrier plate.



4. Using a non-marring panel removal tool, remove the window switch (1) from the door and disconnect the electrical connector (2).
5. Using a non-marring panel removal tool, remove the liner (4) from the door trim pull handle.
6. Remove the fastener (3) securing the door trim panel to the carrier plate.

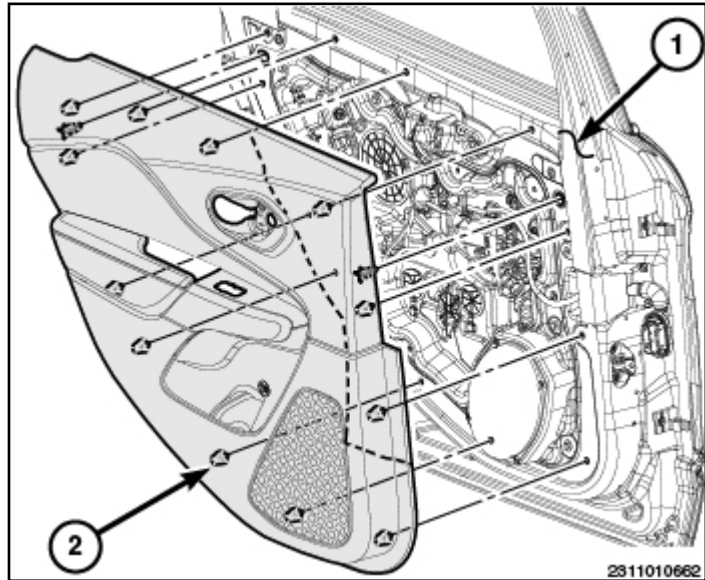




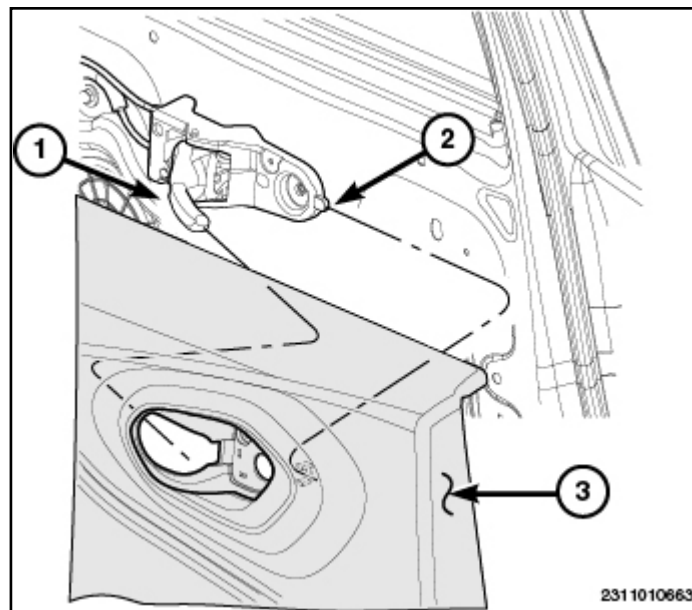
Audio System Upgrade Package
2009-Up Dodge Ram Quad and Crew Cab Trucks
2014-Up Jeep Cherokee (Six Speaker Base and Premium Audio)

Installation Instructions

7. Using a non-marring panel removal tool, pry the door trim panel away from the door (1) starting along the lower edge and working around the perimeter to disengage the retaining clips (2).



8. Lift the door trim panel (1) up and out. **Position the door trim panel slightly away, do not remove.**
9. Pull the interior handle (2) out fully from the notch (3) to detach from the trim panel (1).
10. Remove the door trim panel from the vehicle.

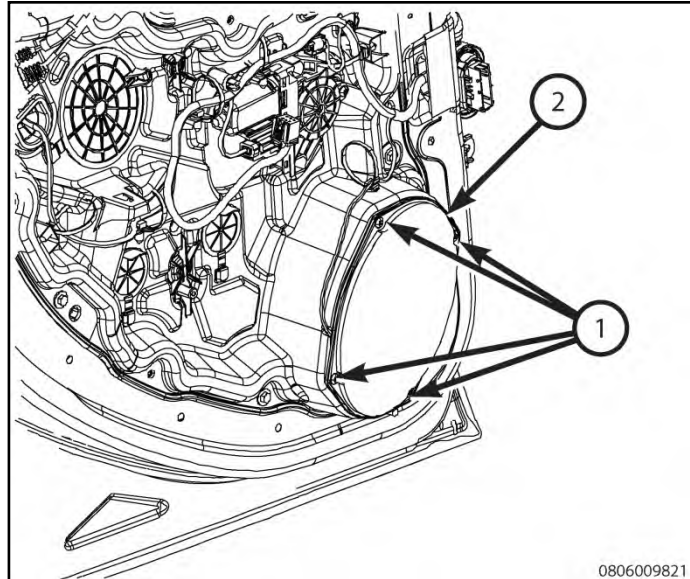




Audio System Upgrade Package
2009-Up Dodge Ram Quad and Crew Cab Trucks
2014-Up Jeep Cherokee (Six Speaker Base and Premium Audio)

Installation Instructions

11. Remove the mounting fasteners (1).
12. Remove the speaker (2) from the door.
13. Disconnect wire harness from the speaker.
14. Connect replacement speaker and reinstall in reverse order.
15. Repeat steps 2-14 for other rear door speaker.



16. Replace all previously removed trim panels in reverse order.
17. Reconnect negative battery cable.